



Tools for Threaded Test Probes

Edition 4.3



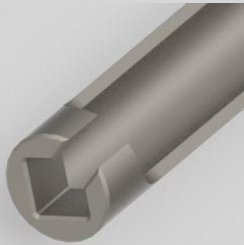
mactech@mactech.eu
www.mactech.eu

Tool head types

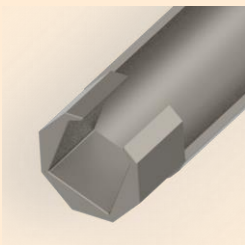
Square Closed (SC)



Square Open (SO)



Reduced Square (RS)



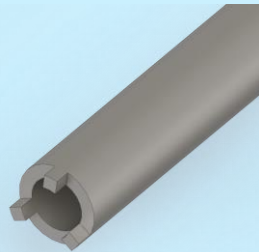
Teeth (T)



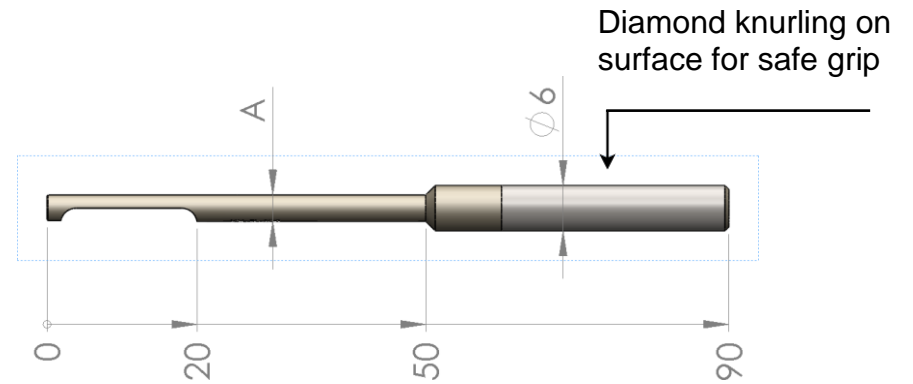
Double "D" Open (DO)



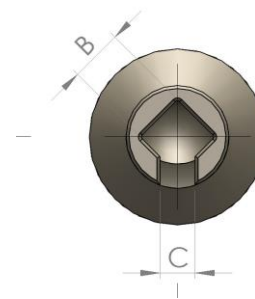
3 Teeth (T3)



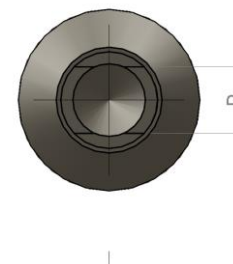
Sizes in mm



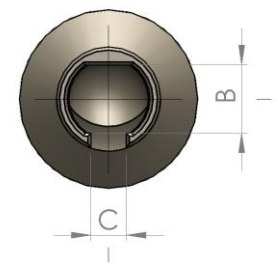
Type SC, SO, RS



Type T



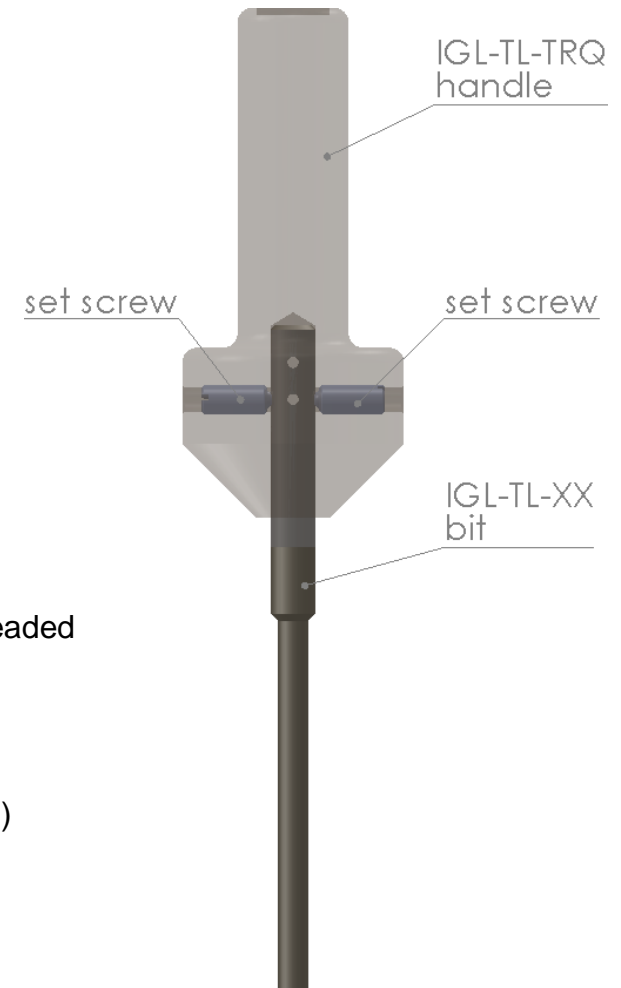
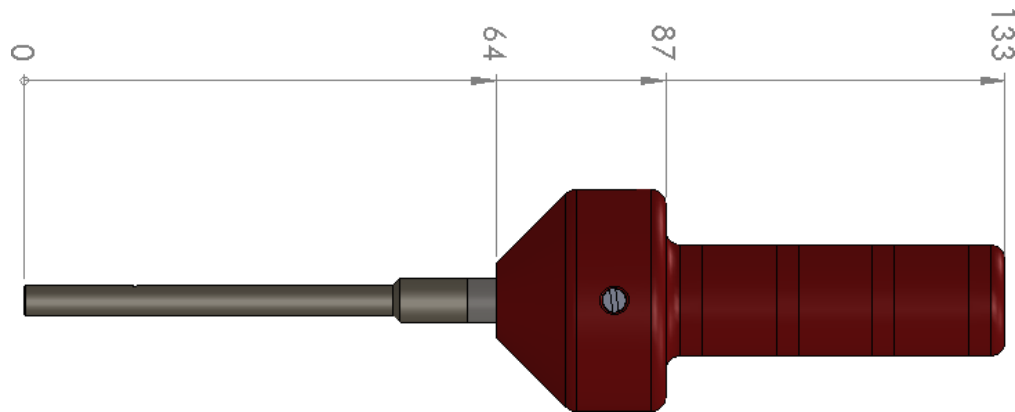
Type DO



Order Nr.	Head Type	A	B	C	SW size	Max head size	Fixtest	Ingun	Feinmetall	PTR
IGL-TL-1	SC	2,7	1,8	-	1,7	1,8	71, 73, 352	GKS: 112M, 204M, 427M, 746M, 761M HSS: 118M, 827M SKS: 215M	F722, F732, F873, F875, F375, F756, F757, VF100	1021/G, 1028/G, 1021/GV, 3020/2G, 3020/2GW5, 3023/2GS, 3024/2G, 5203, 3028.01
IGL-TL-1B	SC	2,7	1,8	-	1,7	2				
IGL-TL-2	SO	3,5	1,8	1,2	1,7	2,6				
IGL-TL-3	RS	3	1,8	1,2	1,7	2,7				
IGL-TL-4	T	3,2	2,2	-	-	2,4	265	-	-	-
IGL-TL-5	SO	5	3,1	2	3	4	72, 68, 803, 463, 351, 435	GKS: 098M, 103M, 113M, 313M, 803M, 503M, 913M HSS: 120M, 520M SKS: 435M	F723, F733, F737, F755	1060/G, 5110/G, 3010/2G, 3010/2GW, 3011/2GS, 5104, 3014/2G
IGL-TL-6	SC	4,8	3,1	-	3	3,1				
IGL-TL-7	SO	2,8	1,5	1	1,4	2	70	GKS: 899M T: 899M	F731	1015/G, 3030/GW3
IGL-TL-8	SC	2,4	1,5	-	1,4	1,5				
IGL-TL-9	SO	2	1,1	0,8	1	1,5	215, 66	GKS: 075M	F175	1010/G
IGL-TL-10	SC	2	1,1	-	1	1,1				
IGL-TL-12	T	4	2,7	-	2,6	2,6	465	SKS: 465 MF/SF PKS: 350M, 355M	F881, F883, F885, F886,	3012/2GS

Order Nr.	Head Type	A	B	C	SW size	Max head size	Fixtest	Ingun	Feinmetall	PTR
IGL-TL-14	SC	4	3	-	-	3	265E	-	-	-
IGL-TL-15	T3	2,4	-	-	-	1,6	71T	T912...M	F732SP	.
IGL-TL-16	T3	3,1	-	-	-	2,3	71T	T912...M	F732SP1	.
IGL-TL-17	T3	1,85	-	-	-	1,1	70T	T899...M	F731SP	.
IGL-TL-18	T3	4,2	-	-	-	3,4	72T	T913...M	F733SP	.
IGL-TL-19	SO	5,5	3,6	2,6	3,5	4,5	-	HSS-150, GKS-854, HSS-552	F735C	-

TRQ -Torque control handle

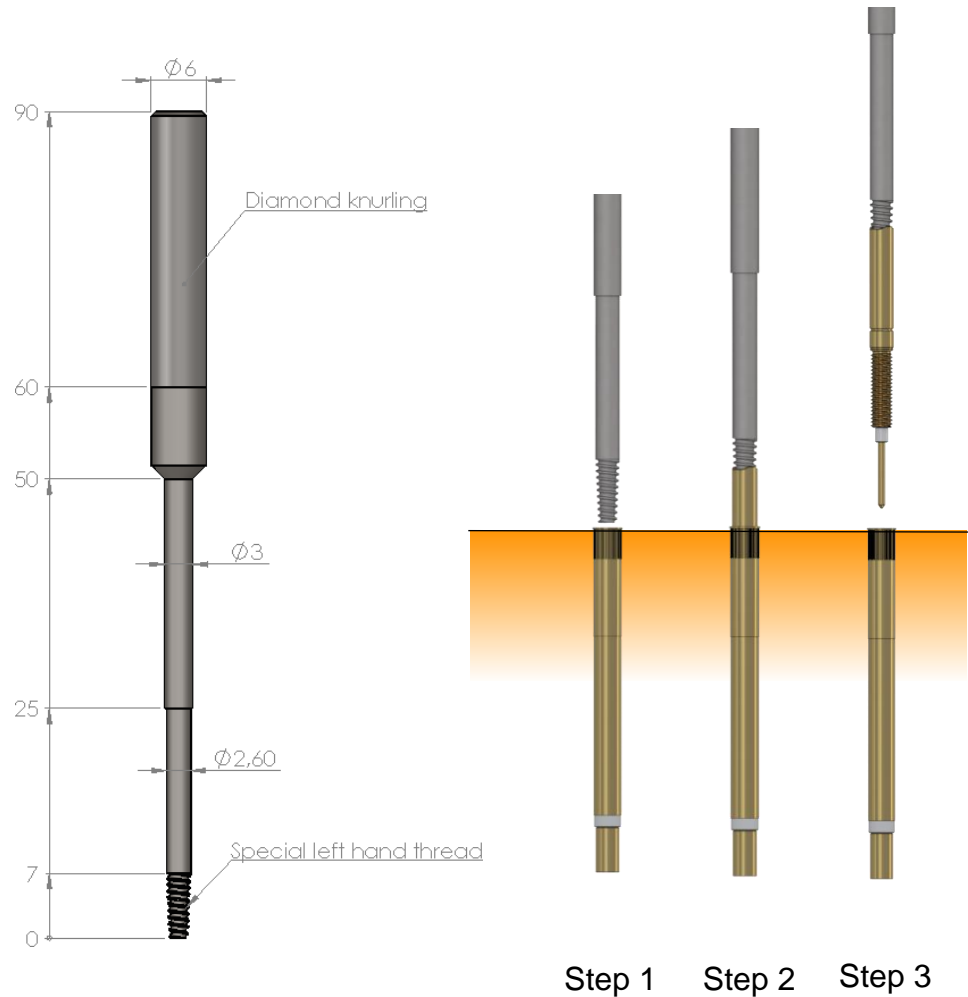


Our new economic torque control handle ensures a safe screw-in torque for threaded test probes. The desired torque can be set up with the set screws on the side.

Calibration of tool is available upon request.

(IGL-TL-TRQ is only compatible with IGL-TL-XX bits produced after 2015.04.13.)

Broken probe extractor for threaded probes (EX14 - threaded probe with OD 2.65mm)



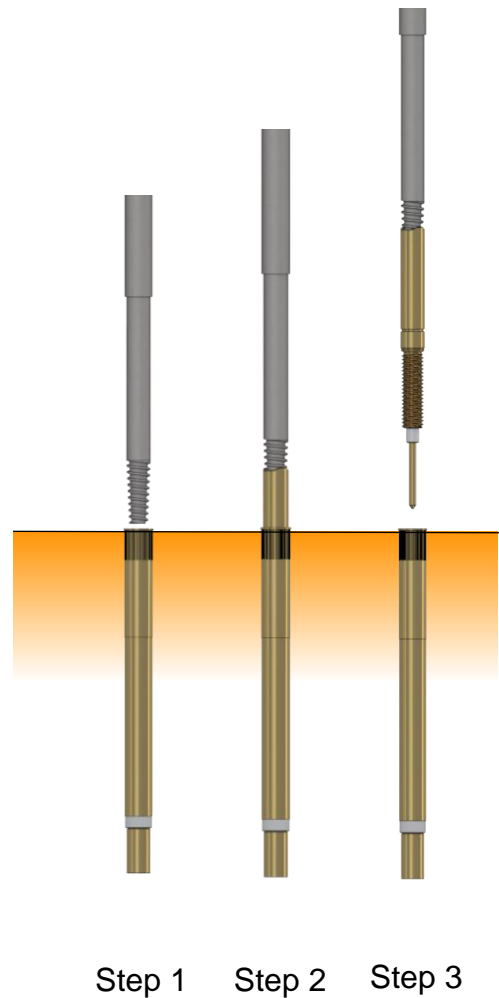
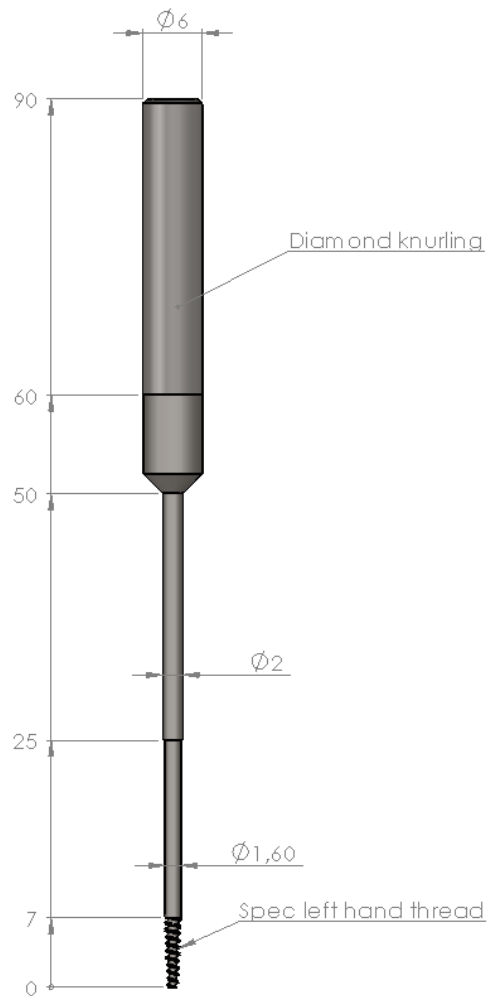
Step 1) Insert the tool into the receptacle and start to turn it counter clockwise until the tool “grips” the broken probe inside.

Step 2) Unscrew the broken probe from the receptacle

Step 3) Remove the probe and unscrew the probe from the tool.

Broken probe extractor for threaded probes

(EX1 - threaded probe with OD 1.65mm)



Step 1) Insert the tool into the receptacle and start to turn it counter clockwise until the tool "grips" the broken probe inside.

Step 2) Unscrew the broken probe from the receptacle

Step 3) Remove the probe and unscrew the probe from the tool.