

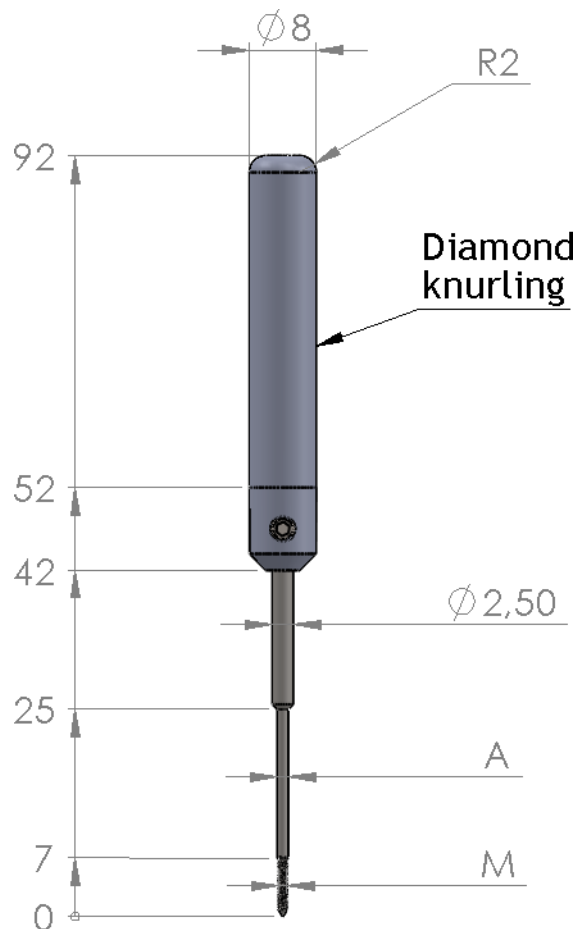


## *Tools for Broken Test Probes*

*Edition 1.4*



# Broken Probe Extraction Tools (BPET)

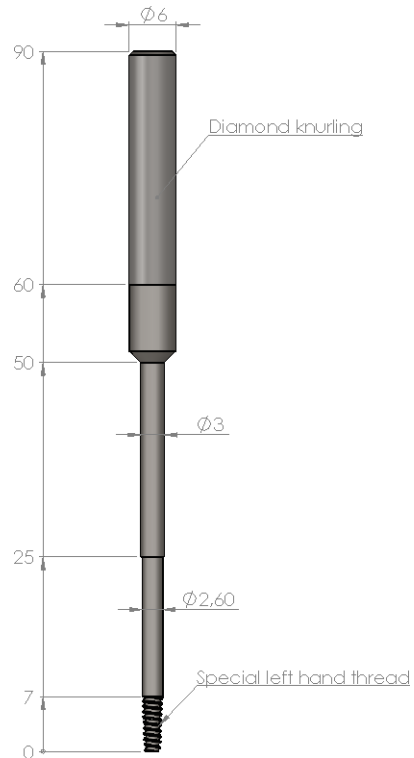


Complete Tool	BIT	Handle	A	M
<b>BPET-102</b>	BIT-BPET-102	H-2.6	0,95	M0,9 (LH)
<b>BPET-135</b>	BIT-BPET-135	H-2.6	1,30	M1,2 (LH)
<b>BPET-165</b>	BIT-BPET-165	H-2.6	1,60	M1,5 (LH)
<b>BPET-265</b>	BIT-BPET-265	H-2.6	2,60	M2,5 (LH)

Compatibility examples - tools can be used with more series!						
Complete Tool	ECT	FM	Fixtest	Ingun	PTR	QA
<b>BPET-102</b>	LFRE1	F075	series75	GKS075	series 1012	075-25
<b>BPET-135</b>	LFRE25	F100	series 100	GKS100	series 1025	100-25
<b>BPET-165</b>	TSC025	F772	series 30	GKS112	series 2021	-
<b>BPET-265</b>	TSC157	F773	series 50	GKS113	series 1060	-

Our economic BPET tools are developed for easy removal of broken test probes from receptacles. The tool consists of an exchangeable bit and handle for economic use.

# Broken Probe Extraction Tools - Automotive Application

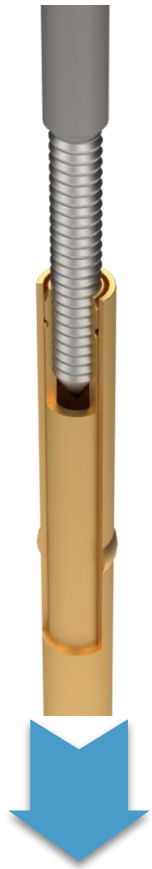


Compatibility examples - tools can be used with more series!					
Complete Tool	ECT	FM	Fixtest	Ingun	PTR
EX14	TSC157	F733	series 72	GKS113M	series 1060/G

# How to use?

Insert the tool into the receptacle and turn it counter clockwise until it “grips” the barrel of the probe.  
The special left handed thread applied on the BIT ensures an easy removal of the barrel from the receptacle.

**STEP 1**



**STEP 2**



**STEP 3**



